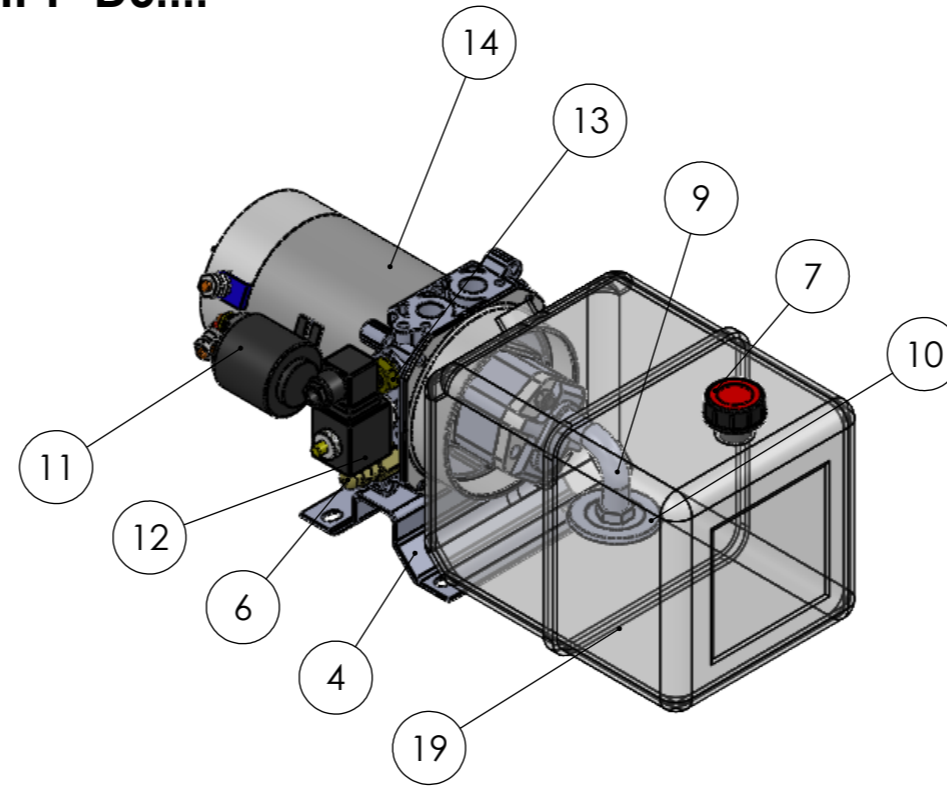
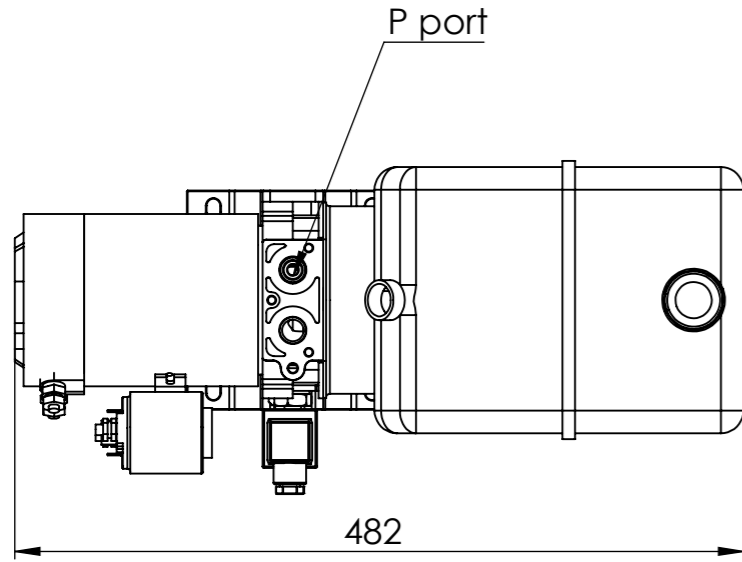
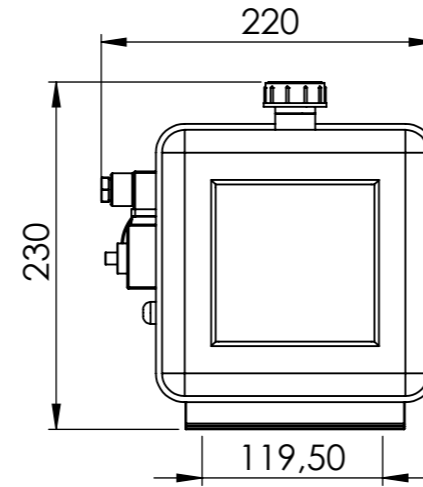
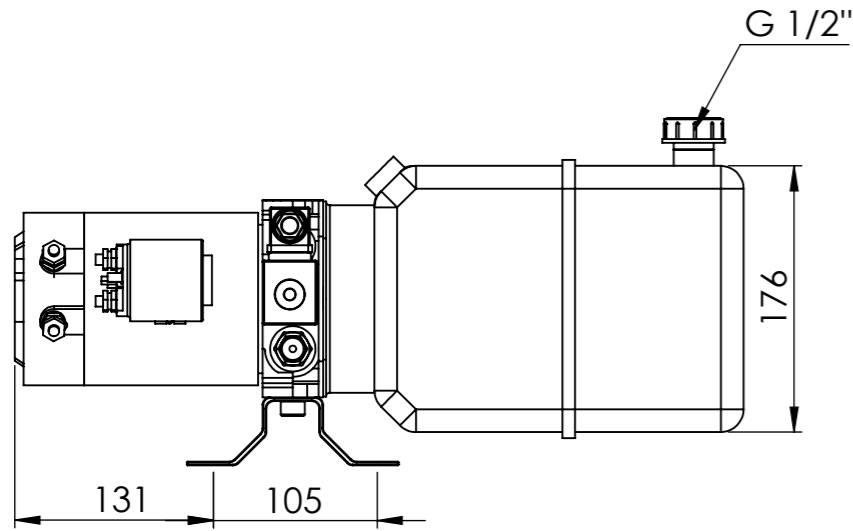


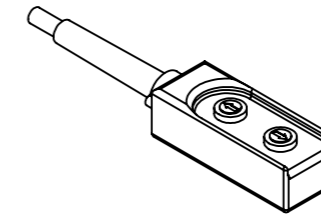
# HPP-D5....



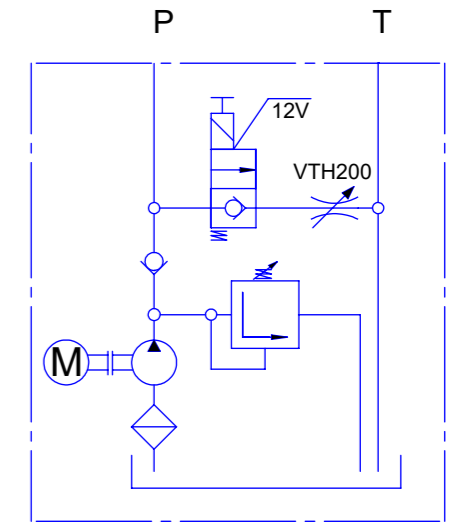
PART NO.	PART NAME	QTY.
1	MBWP-10(Popetli)	1
2	DC coupling	1
3	Return plastic	1
4	Connection plate	1
7	AB-1/2"	1
8	10C2.1X302	1
9	SP-90-S	1
10	Filter	1
11	STX12V150	1
12	P-NC-MO-12	1
13	HP-SFCV(VTH200)	1
14	DC12MY-1.6	1
19	TPL06	1



2 button control and 2.5 meter cable added.  
2'li buton ve 2.5 metre kablo eklenecektir.



**Hydraulic Circuit**  
P, T = G 3/8"



**NOTES** 2 button control and 2.5 meter cable added.  
2'li buton ve 2.5 metre kablo eklenecektir.

**MASS**

**DESIGNED BY**

G.Yalvaç

**ELECTRIC MOTOR**

**PUMP**

**OIL TANK**

**MAX PRESSURE**

**CHECKED BY**

H.Tarhan

**POWER**  
1.6 kW

**DISPLACEMENT**  
2.1 cc/rev

**CAPACITY**  
6 liter

155 bar

**DATE**

22.11.2019

**VOLTAGE**  
12 V DC

**TYPE**  
Square

**REVISION**

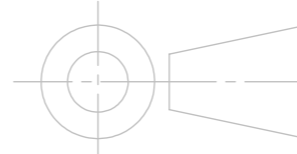
**SPEED**  
2500rpm

**ASSEMBLY**  
Horizontal

**REVISION DATE**

**FREQUENCY**

**MATERIAL**  
Plastic



Sanayi Mah. İzmit Sanayi Sitesi 13. cad. İç Kapı No:54  
İzmit/Kocaeli-TURKEY  
Tel: +90 262 335 63 66 Fax: +90 262 335 63 70  
www.hydropack.com.tr / info@hydropack.com.tr

**DESCRIPTION**

**MINI POWERPACK**

SCALE: 1:5

DIMENSIONS: mm

**A3**