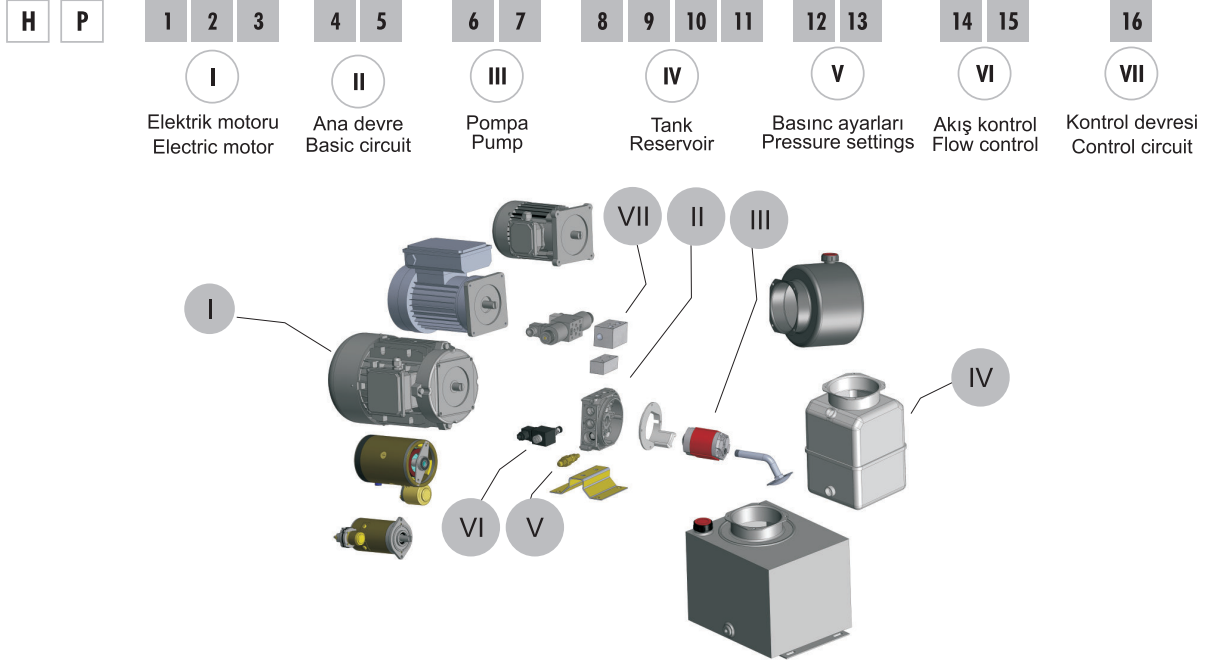
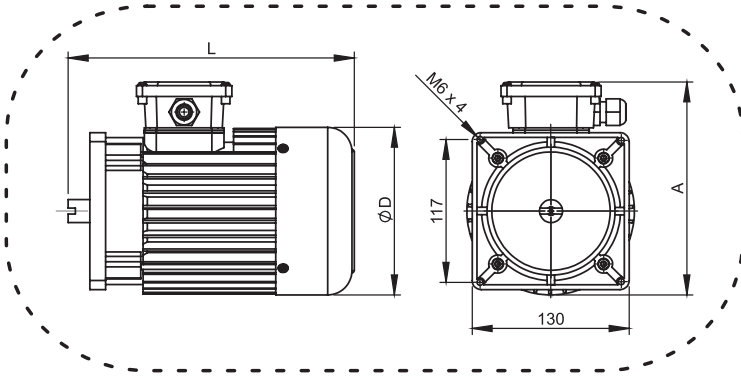


GÜÇ ÜNİTESİNİN ELEMANLARI / COMPONENTS OF POWERPACK

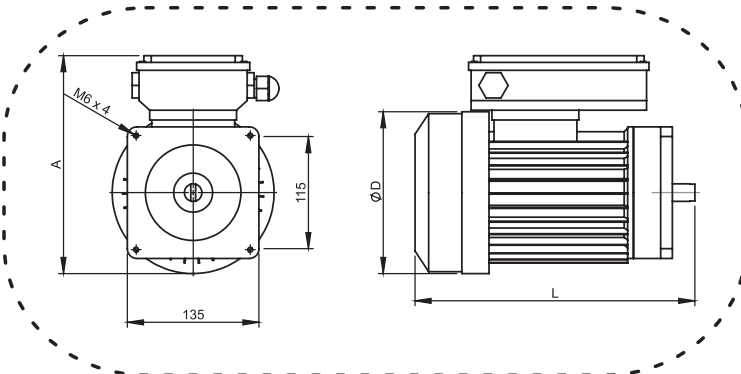


I 1 2 3 ELECTRIC MOTORS / ELEKTRİK MOTORLARI



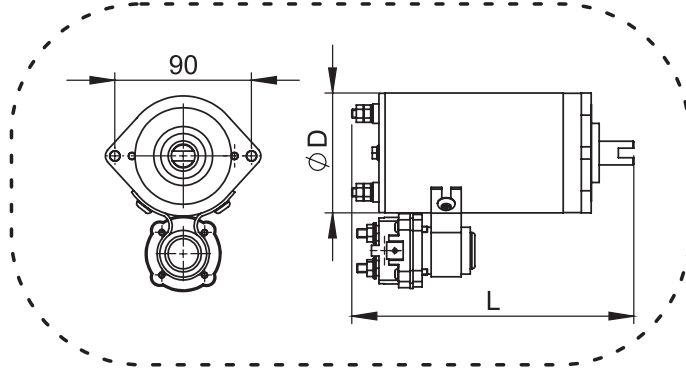
AC MOTORS THREE PHASE - AC MOTORLAR ÜÇ FAZLI

Code Kod	Power Güç KW	Phase Faz	Voltage Voltaj V	Dimensions / Boyutlar		
				L mm	D mm	A mm
A11	0.37	Three	380	232	138	184
A12	0.55	Three	380	232	138	184
A13	0.75	Three	380	253	155	197
A14	1.1	Three	380	267	176	223
A15	1.5	Three	380	292	176	223
A16	2.2	Three	380	292	176	223
A17	3	Three	380	316	194	249
A18	4	Three	380	349	218	276



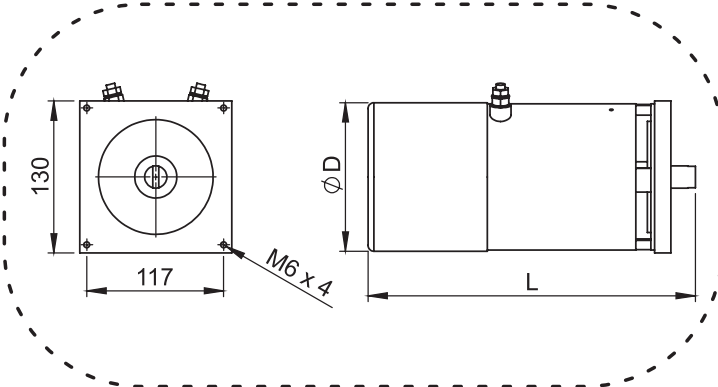
AC MOTORS MONO PHASE - AC MOTORLAR TEK FAZLI

Code Kod	Power Güç KW	Phase Faz	Voltage Voltaj V	Dimensions / Boyutlar		
				A mm	L mm	D mm
A19	0.37	Mono	220	184	232	138
A20	0.55	Mono	220	198	249	155
A21	0.75	Mono	220	198	249	155
A22	1.1	Mono	220	223	287	166
A23	1.5	Mono	220	237	324	175
A24	2.2	Mono	220	237	324	175
A25	3	Mono	220	255	367.5	195



DC MOTORS - DC MOTORLAR 12 V - 24 V

Code Kod	Power Güç KW	Voltage Voltaj V	L mm	D mm
A09	0.5	12	187	80
A10	0.5	24	187	80
A11	0.8	12	187	80
A12	0.8	24	187	80
A13	1.6	12	176	115
A14	2	12	176	115
A15	2	24	185	113
A16	2.2	24	185	113
A17	2.5	12	280	127
A18	3	12	280	127
A19	3	24	222.5	127
A20	4.5	24	310	154

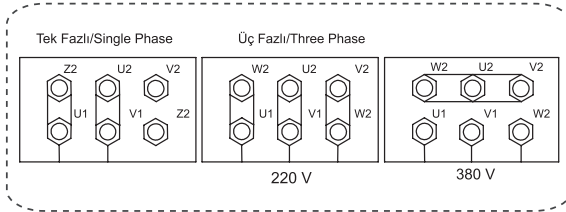


MOTORS WITH FAN - FANLI MOTORLAR

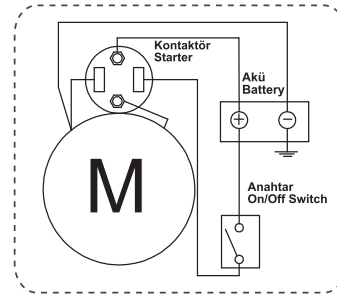
Code Kod	Power Güç KW	Voltage Voltaj V	Dimensions / Boyutlar	
			L mm	D mm
A15	2	24	185	113
A17	2.5	12	280	127
A20	4.5	24	310	154

BASIC PT CIRCUIT / TEMEL PT DEVRESİ

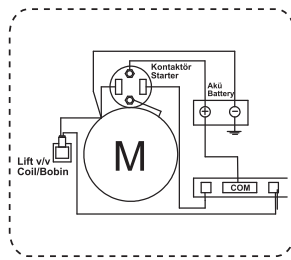
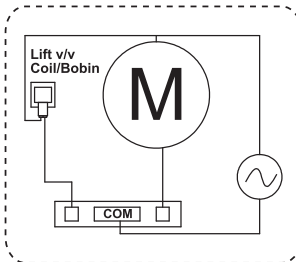
AC



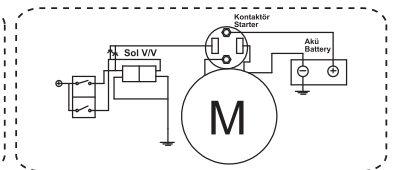
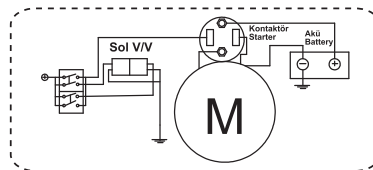
DC



SINGLE ACTING CYLINDER CIRCUIT / TEK ETKİLİ SİLİNDİR DEVRESİ

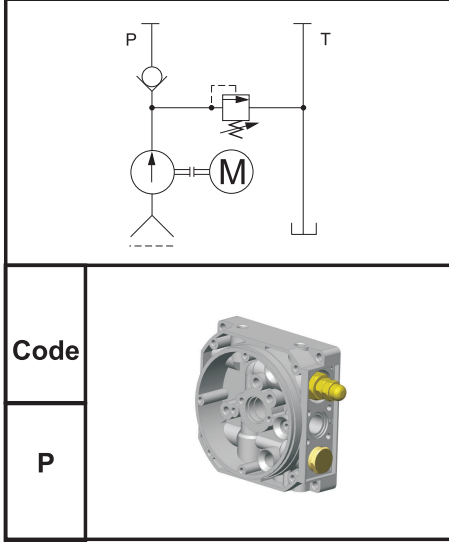


DC MOTOR WITH DIRECTIONAL CONTROL VALVE CIRCUIT
DC MOTORLU YÖN KONTROL VALFI DEVRESİ

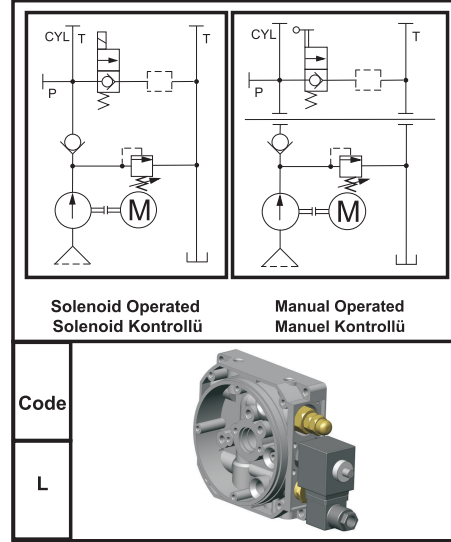


II 4 5 ANA DEVRE / BASIC CIRCUIT

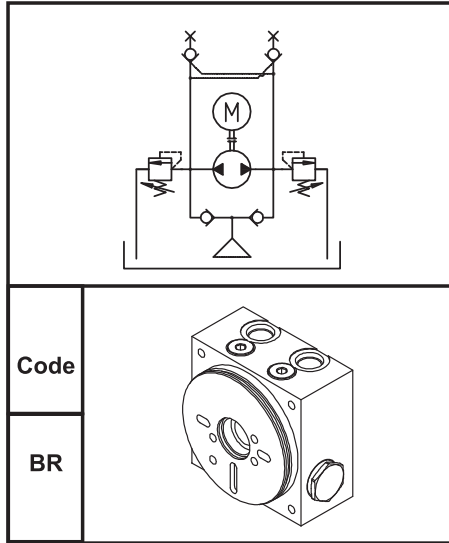
PT CIRCUIT / PT DEVRESİ
BLOCK WITHOUT POPPET VALVE / POPET VALFSIZ BLOK



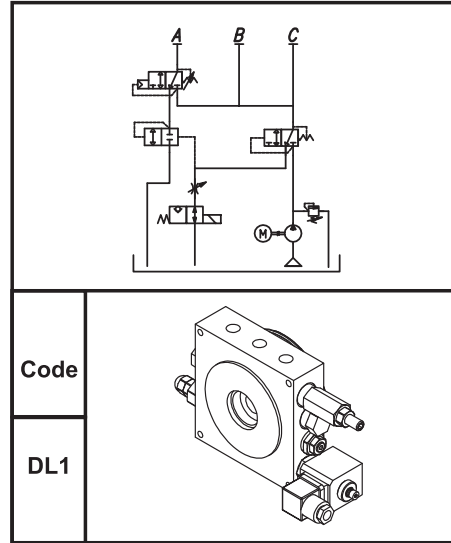
LIFT CIRCUIT / LİFT DEVRESİ
BLOCK WITH POPPET VALVE / POPET VALFLİ BLOK



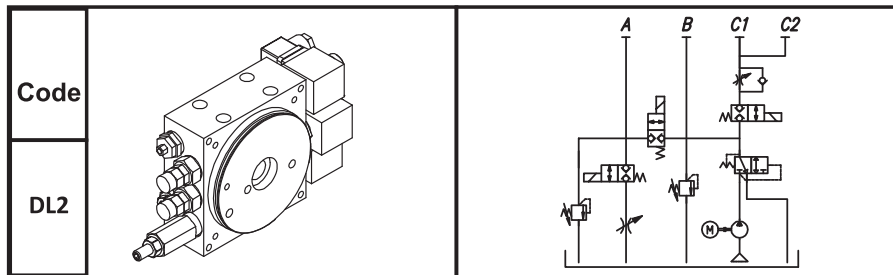
BI-ROTATIONAL SYSTEM / ÇİFT DÖNÜŞLÜ SİSTEM



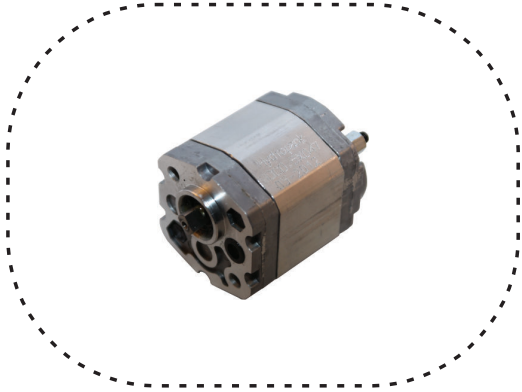
DOCK LEVELER WITH TILTING LIB / RAMPA BLOĞU



DOCK LEVELER WITH TELESCOPIC LIB / TELESKOPIK RAMPA BLOĞU

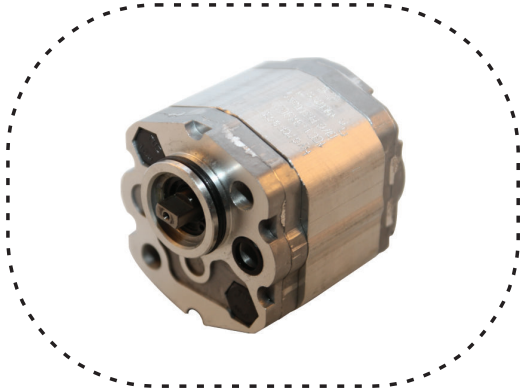
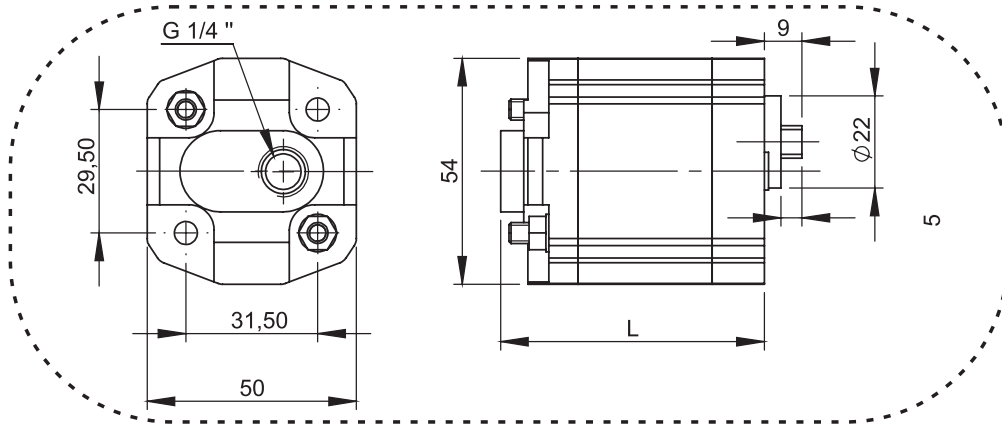


III 6 7 POMPA / PUMP



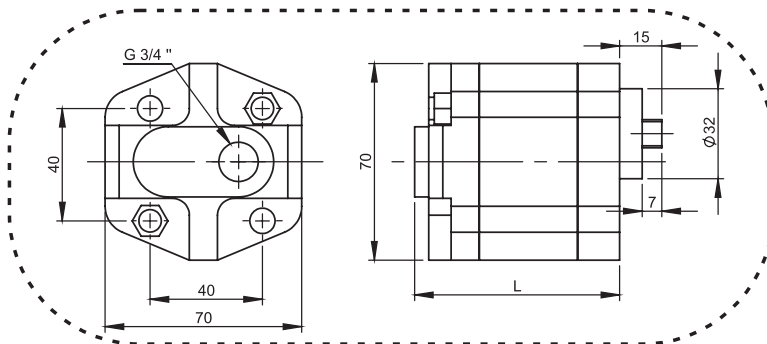
PUMPS - POMPALAR
GROUP 00 - 00. GRUP

Code Kod	Flow Rate Debi cc/rev	Flow Rate Debi L/min	Pmax bar	Dimensions Boyutlar L mm
01	0.25	0.375	200	61
02	0.5	0.75	200	63
03	4.5	1.125	200	65
04	1	1.5	200	67
05	1.25	1.875	200	69



PUMPS - POMPALAR
GROUP 10 - 10. GRUP

Code Kod	Flow Rate Debi cc/rev	Flow Rate Debi L/min	Pmax bar	Dimensions Boyutlar L mm
10	0.8	1.2	250	73
11	1.1	1.65	250	74
12	1.3	1.95	250	75
13	1.8	2.7	250	77
14	2.1	3.15	250	78
15	2.7	4.05	250	80.5
16	3.2	4.8	250	82
17	3.7	5.55	250	85
18	4.2	6.3	250	86.5
19	4.8	7.2	250	88
20	5.8	8.7	200	93.5
21	7	10.5	180	96
22	8	12	150	100



IV 8 9 10 11 TANK / RESERVOIR



8

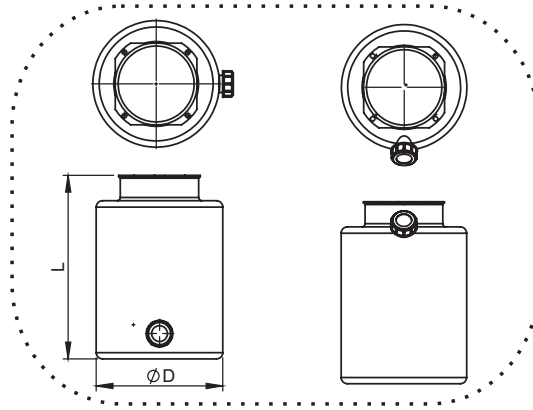
Code Kod	Type of Mounting Montaj Tipi
H	Horizontal / Yatay
V	Vertical / Dikey

9 10 11

RESERVOIR - TANK
CYLINDER - SİLİNDİR

Code Kod	Capacity Kapasite L	Dimensions / Boyutlar	
		L mm	D mm
S01	1	140.5	120
S02	2	221.5	120
S03	4	170	200
S04	6	230	200
S05	8	290	200
S06	10	355	200
S07	12	420	200
S08	20	479	247
S09	30	664	247

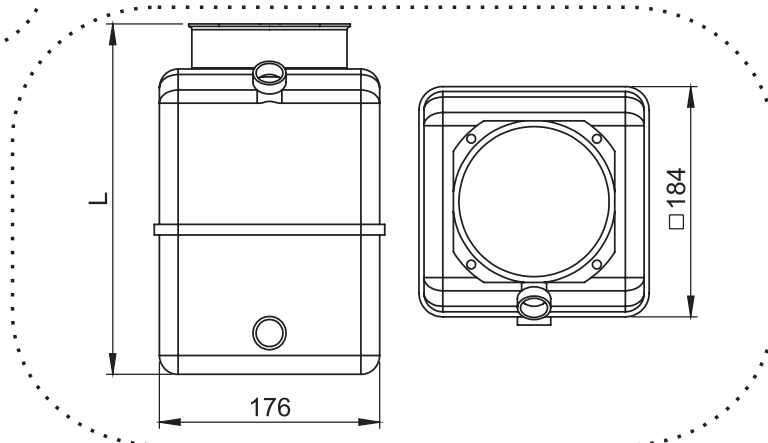
Horizontal / Yatay Vertical / Dikey

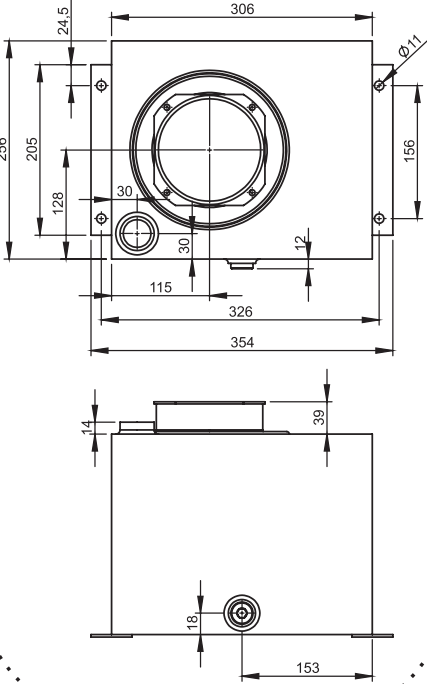


Code Kod	Type of Mounting Montaj Tipi
H	Horizontal / Yatay
V	Vertical / Dikey

RESERVOIR - TANK
PLASTIC - PLASTİK

Code Kod	Capacity Kapasite L	Dimensions Boyutlar
		L mm
P10	4	220
P11	6	280
P12	8	335





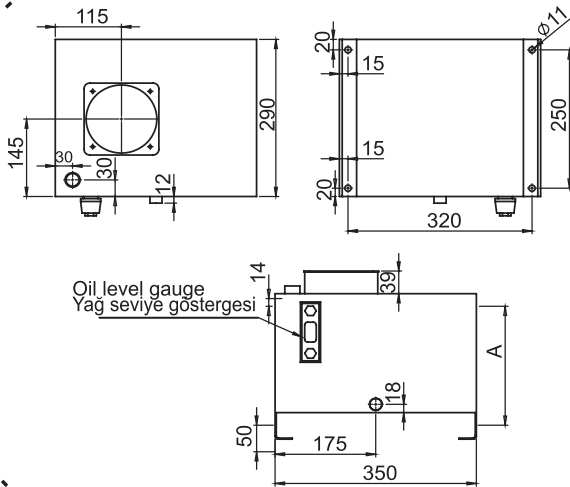
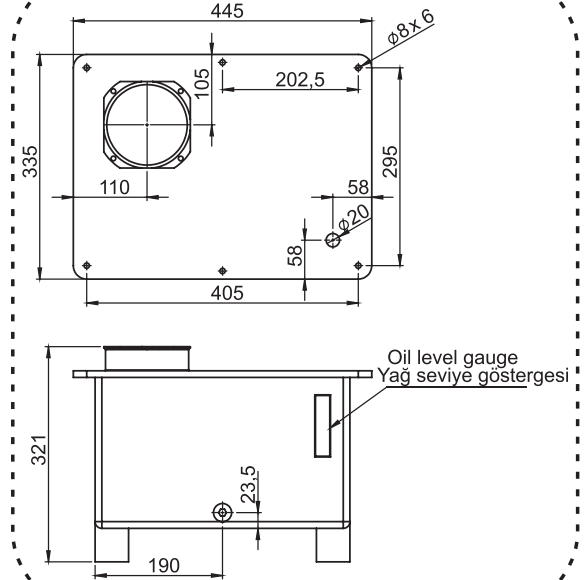
RESERVOIR - TANK
SQUARE - KARE

Code Kod	Capacity / Kapasite L
S13	15



RESERVOIR - TANK
SQUARE - KARE

Code Kod	Capacity / Kapasite L
S14	25



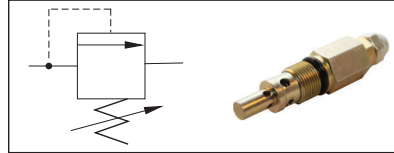
RESERVOIR - TANK
SQUARE - KARE

Code Kod	Capacity / Kapasite L	Dimensions Boyutlar
S15	20	220
S16	30	335

V 12 13 PRESSURE / BASINÇ

Code / Kod	03	04	05	06	07	08	09	10	11	12	13	14	15	16	17	18	19	20	21	22	23	24	25
Pressure Basınç bar	30	40	50	60	70	80	90	100	110	120	130	140	150	160	170	180	190	200	210	220	230	240	250

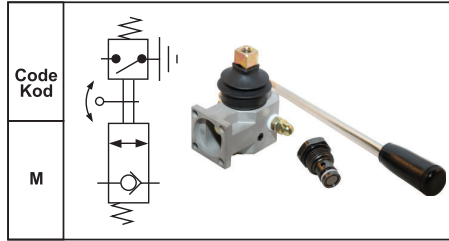
The available range of pressure is 30-250 bar. This setting can be adjusted according to the user.
Mümkün olan basınç aralığı 30-250 bar'dır. Bu ayar, kullanıcı tarafından ayarlanabilir.



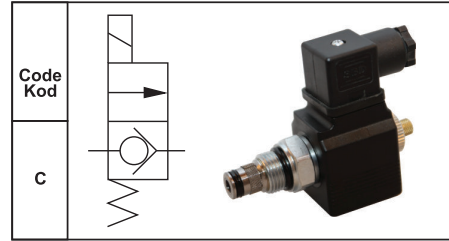
VI 14 15 FLOW CONTROL / AKIŞ KONTROLÜ

14 Type of Return Valve / Dönüş Valfinin Tipi

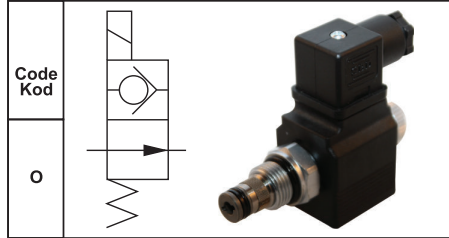
Manual Type / Manuel Tip



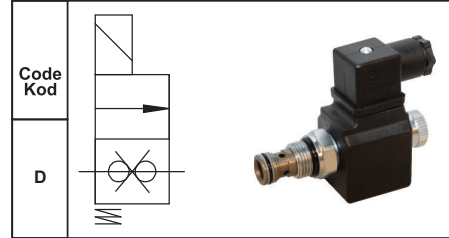
Closed Center Poppet Valve / Kapalı Merkez Popet Valf



Open Center Poppet Valve / Açık Merkez Popet Valf



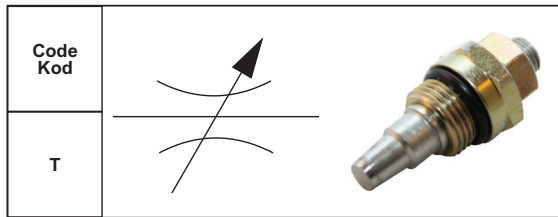
Double Lock Poppet Valve / Çift Çek Valfli Popet Valf



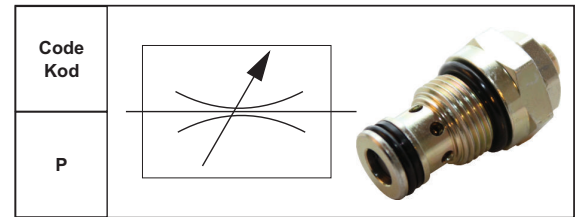
15

Code Kod	Non speed control / Akış kontrolsüz
H	

General type flow control / Genel tip akış kontrolü

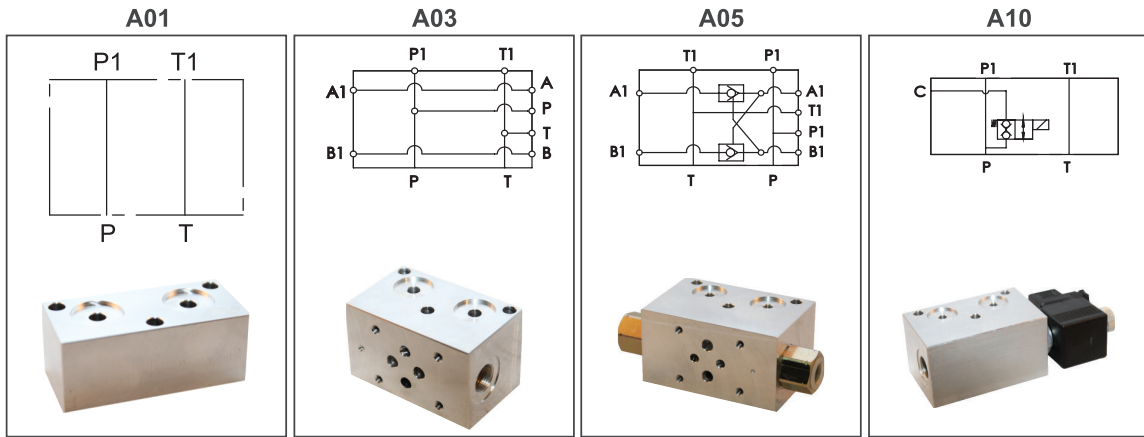


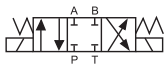
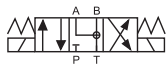
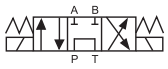
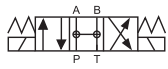
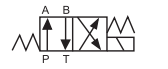
Pressure sensitive flow control / Basınç duyarlı akış kontrolü

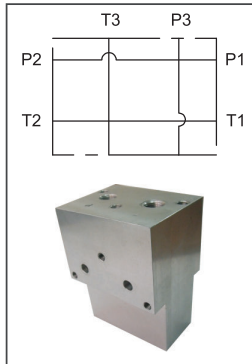
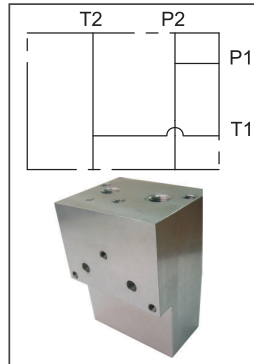
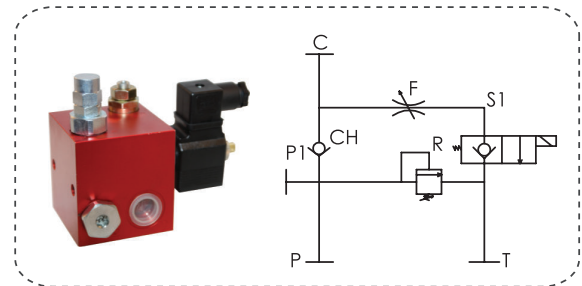
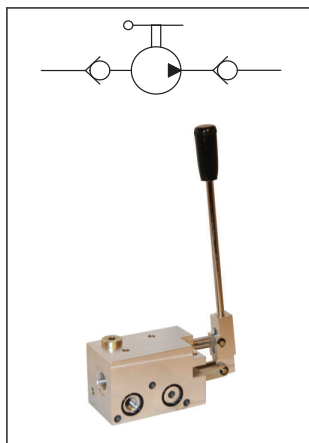
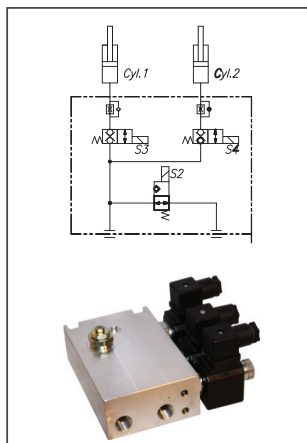
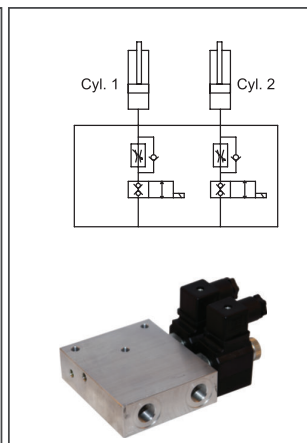
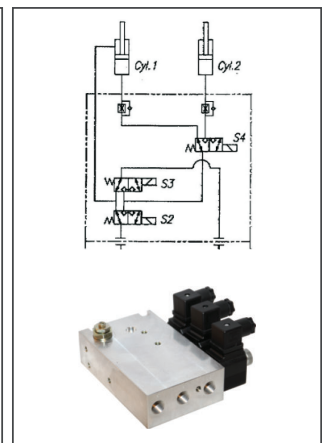


·User can adjust the speed. / Kullanıcı hızı ayarlayabilir.
·Speed varies according to the load. / Hız, yüke göre değişir.

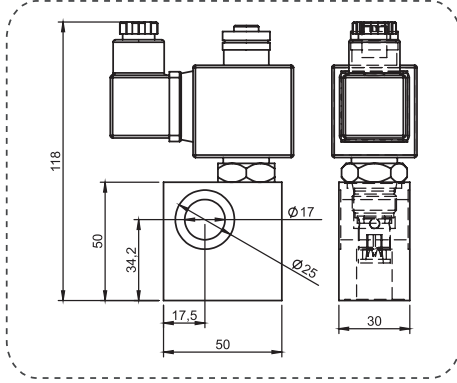
· User can adjust the speed. / Kullanıcı hızı ayarlayabilir.
· Variations in inlet pressure don't affect rate of flow. / Giriş basıncındaki değişimler akış hızını etkilemez. Yük değişse bile hız aynı kalır.

VII 16 BLOCKS AND SOLENOID VALVES / BLOKLAR VE SOLENOİD VALFLER

Solenoid valves / Solenoid valfler

Rh06011 Closed Center	Rh06041 J Center	Rh06021 PT by pass	Rh06001 Open Center AAık Merkez	Rh06101 Single valve
				

T BLOCK / T BLOK

L BLOCK / L BLOK

PLATFORM BLOCK / PLATFORM BLOĞU

HAND PUMP / EL POMPASI

BL-DOOR SS

BL-DOOR SN

BL-DOOR SD


POPET VALVE BLOCK / POPET VALF BLOĞU



Poppet valve / Popet valf

Open center / Açık merkez

Closed center / Kapalı Merkez

**WELD NECK
TANK BOĞAZI**



**COVER
GERİ DÖNÜŞ PLASTİĞİ**



**AIRBREATHERS
HAVALANDIRMA KAPAKLARI**



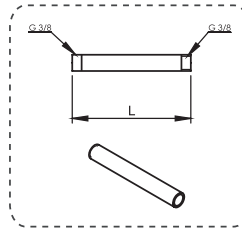
Type / Tip

G 1/2"

G 3/4"

G 3/8"

FILTERS AND FILTER PIPES / FİLTRELER VE FİLTRE BORULARI



Filter pipes / Filtre boruları

Z type / Z tipi

45° elbow
45° dirsek

90° elbow long/short
90° dirsek uzun/kısa

Filter pipes / Filtre boruları

L [mm] = 30, 50, 60, 70, 100, 125, 150, 175, 215, 260

**ELECTRIC COIL
POPET BOBİNİ**



Voltage / Voltaj

12 V

24 V

220 V

**STARTER
KONTAKTÖR**



Voltage / Voltaj

12 V

24 V

**COUPLINGS
KAPLIHLER**



Type / Tip

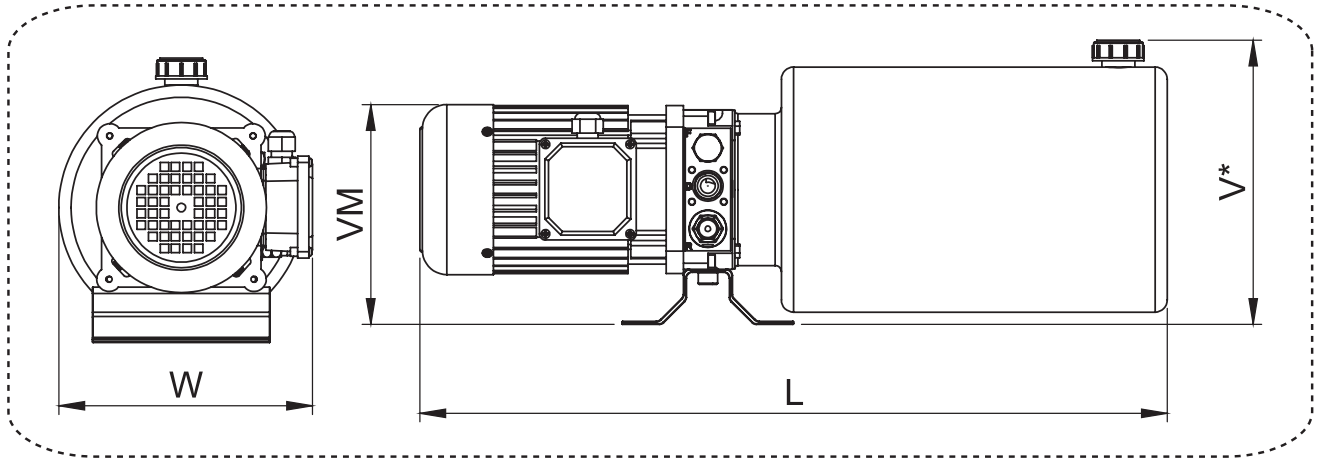
For AC motors
AC motorlar için

For DC motors
DC motorlar için

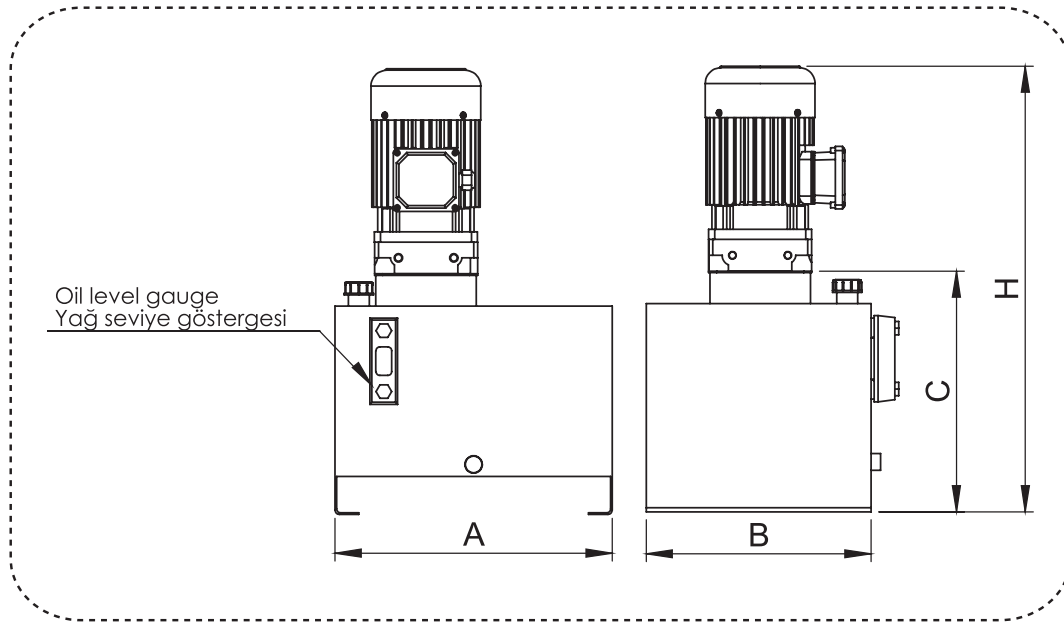
**MANUAL BUTTONS
BUTONLAR**



Please contact us for detailed information about accessories.
Aksesuarlarla ilgili detaylı bilgi için lütfen iletişime geçiniz.



AC MOTOR SINGLE PHASE	W				VM	L												V*			
	1-2 L	4-12 L	20-30 L	4-8 L Plastik		1 L	2 L	4 L	6 L	8 L	10 L	12 L	20 L	30 L	4 L Plastik	6 L Plastik	8 L Plastik	1-2 L	4-12 L	20-30 L	4-8 L Plastik
0.37 kw	164	214	250	206	179	393	484	423	483	543	608	673	732	917	473	533	588	183	232	260	225
0.55 kw	181	220	247	212	187	410	501	440	500	560	625	690	749	934	490	550	605				
0.75 kw	181	220	247	212	187	410	501	440	500	560	625	690	749	934	190	550	605				
1.1 kw	201	240	263	232	193	444	535	474	534	594	659	724	783	968	524	584	639				
1.5 kw	205	244	267	236	197	481	572	511	571	631	696	761	820	1002	561	621	679				
2.2 kw	205	244	267	236	197	481	572	511	571	631	696	761	820	1002	561	621	679				
3 kw	209	248	271	240	255	493	584	523	583	643	708	773	832	1014	573	633	688				
AC MOTOR THREE PHASE																		183	232	260	225
0.37 kw	168	207	247	199	179	395	486	425	485	545	610	675	734	919	475	535	590				
0.55 kw	168	207	247	199	179	395	486	425	485	545	610	675	734	919	475	535	590				
0.75 kw	168	207	247	199	182	415	506	445	505	565	630	695	754	939	495	555	610				
1.1 kw	186	225	247	217	197	441	532	471	531	591	656	721	780	965	521	581	636				
1.5 kw	186	225	247	217	197	466	557	496	556	616	681	746	805	981	546	606	661				
2.2 kw	186	225	247	217	197	466	557	496	556	616	681	746	805	981	546	606	661				
3 kw	209	248	271	240	206	495	586	525	585	645	710	771	834	1006	575	635	690				
4kw	224	268	287	255	220	505	596	535	595	655	720	781	844	1016	585	645	700				
DC MOTOR 12 V																		183	232	260	225
0.5 kw	151	200	247	184	149	341	432	371	431	491	556	621	680	865	421	481	536				
0.8 kw	151	200	247	184	149	341	432	371	431	491	556	621	680	865	421	481	536				
1.6 kw	175	214	247	207	167	350	440	380	440	500	565	630	689	874	430	490	545				
2 kw	175	214	247	207	167	350	441	380	440	500	565	630	689	874	430	490	545				
2.5 kw	182	221	247	214	173	439	530	469	529	589	654	719	778	963	519	579	634				
3 kw	182	221	247	214	173	439	530	469	529	589	654	719	778	963	519	579	634				
DC MOTOR 24 V																		183	232	260	225
0.5 kw	151	200	247	184	149	341	432	371	431	491	556	621	680	865	421	481	536				
0.8 kw	151	200	247	184	149	341	432	371	431	491	556	621	680	865	421	481	536				
2 kw	175	214	247	207	167	359	450	389	449	509	574	639	698	883	439	499	554				
2.2 kw	176	215	250	207	167	340	431	370	430	490	555	620	679	864	420	480	535				
3 kw	183	222	247	214	173	386	477	416	476	536	601	666	725	910	466	526	581				
4.5 kw	195	234	255	226	187	469	560	499	559	619	684	749	808	993	549	609	664				



AC MOTOR SINGLE PHASE	A				B				C				H			
	15 L	20 L	25 L	30 L	15 L	20 L	25 L	30 L	15 L	20 L	25 L	30 L	15 L	20 L	25 L	30 L
0.37 kw	356	350	445	350	256	290	445	290	276	344	321	418	528	556	573	670
0.55 kw													546	574	591	688
0.75 kw													546	574	591	688
1.1 kw													580	608	625	722
1.5 kw													617	645	662	759
2.2 kw													617	645	662	759
3 kw													628	656	673	770
3 kw													628	656	673	770
AC MOTOR THREE PHASE																
0.37 kw	356	350	445	350	256	290	445	290	276	344	321	418	533	561	578	675
0.55 kw													533	561	578	675
0.75 kw													549	577	594	691
1.1 kw													575	603	620	717
1.5 kw													600	628	645	742
2.2 kw													600	628	645	742
3 kw													628	656	673	770
4kw													643	671	688	785
DC MOTOR 12 V																
0.5 kw	356	350	445	350	256	290	445	290	276	344	321	418	474	502	519	616
0.8 kw													474	502	519	616
1.6 kw													483	511	528	625
2 kw													483	511	528	625
2.5 kw													575	603	620	717
3 kw													575	603	620	717
DC MOTOR 24 V																
0.5 kw	356	350	445	350	256	290	445	290	276	344	321	418	474	502	519	616
0.8 kw													474	502	519	616
2 kw													492	520	537	634
2.2 kw													476	504	521	648
3 kw													522	550	567	664
4.5 kw													605	633	650	747

